



Better transformer protection with accurate oil level monitoring and alarm and limit functions

- Rugged design and corrosion resistant materials provide long, trouble free life
- Many options provide customized solutions for your application

Product Summary

Description Provides continuous indication of the liquid level inside of a transformer's main tank, conservator tank or load tap changer compartment. Models available with gear driven or lever driven float mechanisms. Gear driven mechanism provides amplified pointer movement relative to corresponding float travel. Lever driven gauges offers slimmer profile for tight spaces within a transformer. Integrated switches allow for limit and alarm control functions.

Application For monitoring of the liquid level inside a transformer's conservator and/or main tank, load tap changer compartment, or other vessels where liquid level is critical.



QUALITROL® 032/042/045 & AKM 44712/34725 large oil level indicators

Better transformer protection with accurate oil level monitoring and alarm and limit functions

- Low level and high level alarm control is made possible with up to 3 integrated switches for 032, 042 and 045 models and up to 4 switches for 44712 and 34725 models
- Gear driven mechanism provides amplified pointer movement relative to the corresponding float movement for enhanced clarity of visual display
- Models with analog output (0-1 mA or 4-20 mA) allow for continuous remote monitoring of oil level

Rugged design and corrosion resistant materials provide long, trouble free life

- Die-cast aluminum housing is coated with a thermosetting powder coat finish
- Stainless steel and corrosion resistant parts protect gauge against harsh environmental conditions
- Optional UV resistant polycarbonate lens resists yellowing with age
- 045 models are designed for hazardous locations and are UL listed for class 1 div 2

Many options provide customized solutions for your application

- Switching can be supplied for various liquid levels
- Both industry-standard and custom engineered dial markings are available
- A wide variety of electrical connections are available including quick connects, Military style, ANSI, conduit-ready and terminal box styles

032/042/045 TECHNICAL SPECIFICATIONS

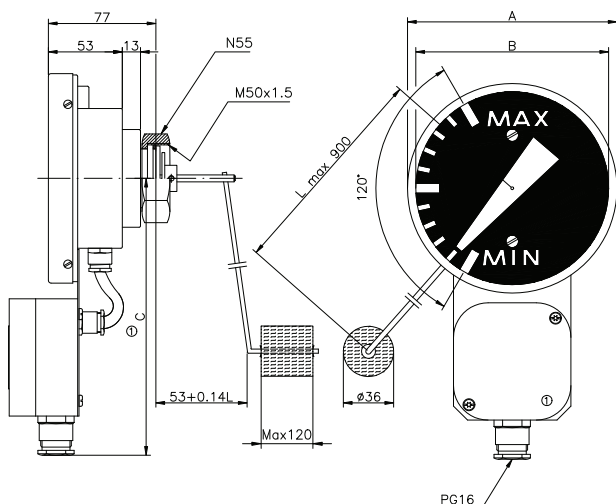
Mechanical	Mounting	Flange mount, various sizes available
	Float mechanism	Gear (042 and 045 series) or lever (032 series)
Dimensions	Dial diameter	5.5" (140mm)
Materials	Case	Die cast aluminum
	Bezel	Stainless steel
	Flange	Aluminum (standard), brass
	Float rod	Brass, copper coated steel or aluminium
	Float	Nitrophyl, steel, cork, homogenous acrylate plastic
	Lens	UV stabilized polycarbonate (standard), glass or tempered glass
Electrical	Connection type	Terminal box or permanently attached (standard), quick connectors, sealed-weatherproof connectors
	Number of switches	Up to 3
	Switch rating (AC)	10A @ 125, 250, 480 VAC
	Switch rating (DC)	1/2A @ 125 VDC, resistive
		1/4A @ 250 VDC, resistive
	Switch type	SPDT
	Dielectric strength	1,500 VAC for 60 seconds
Scada output	Output signal	4 - 20 mA (optional 0-1 mA on 039 series)
	Supply voltage	24 VDC nominal (120 or 240 VAC on 039 series)
	Max load	600Ω



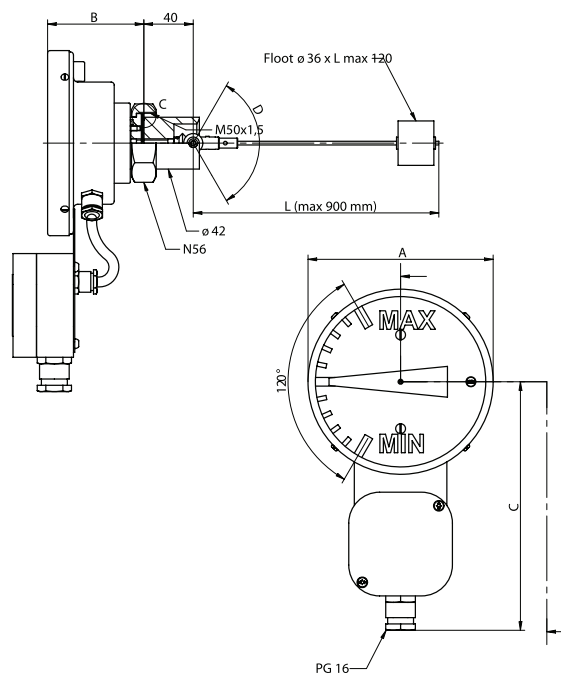
44712/34725 TECHNICAL SPECIFICATIONS

Mechanical	Mounting	M50 thread mount
	Float mechanism	Gear (34725) or lever (44712)
Dimensions	Dial diameter	5.9" (150 mm) or 9.8" (250 mm)
Materials	Case	Die cast aluminum, stainless steel
	Bezel	Stainless steel
	Flange	Aluminum (standard), brass
	Float rod	Brass, copper coated steel or aluminium
	Float	Nitrophyl, steel, cork, homogenous acrylate plastic
	Lens	UV stabilized polycarbonate (standard), glass or tempered glass
	Electrical	Connection type
Number of switches		4
Switch rating (AC)		5A @ 250 VAC
Switch rating (DC)		0.30A @ 125 VDC, resistive
Switch type		SPST or SPDT
Dielectric strength		2,000 VAC for 60 seconds
Scada output		Output signal
	Supply voltage	24 VDC nominal
	Max load	600Ω

44712 Series

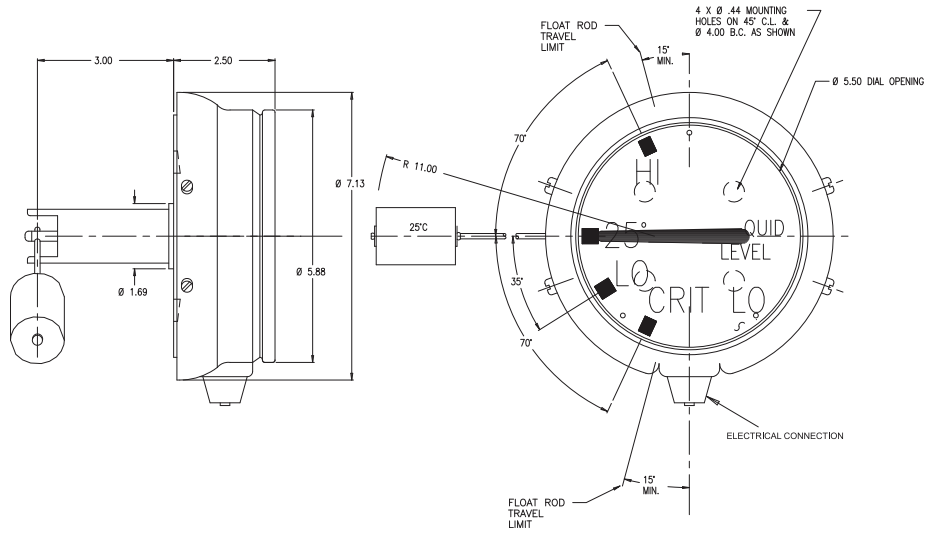


34725 Series

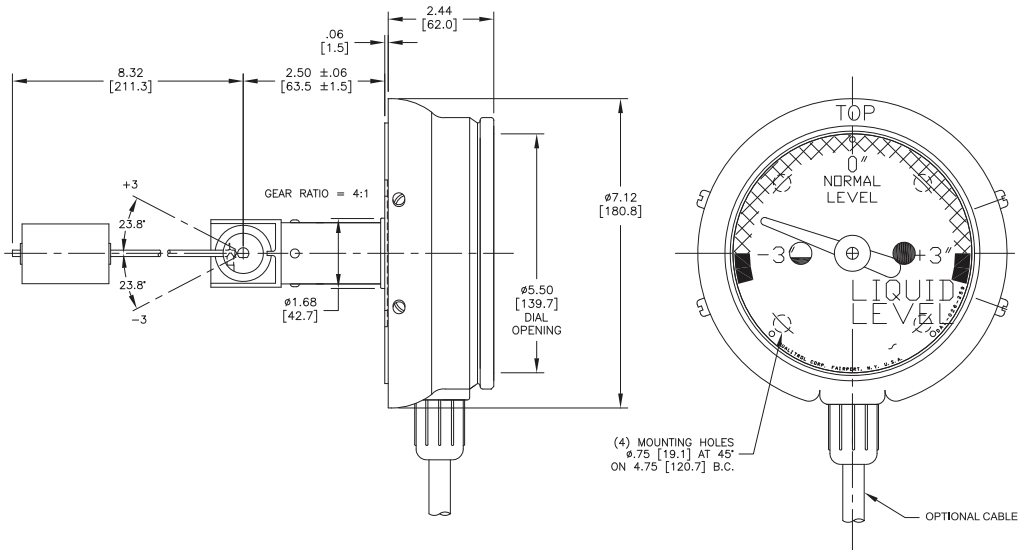




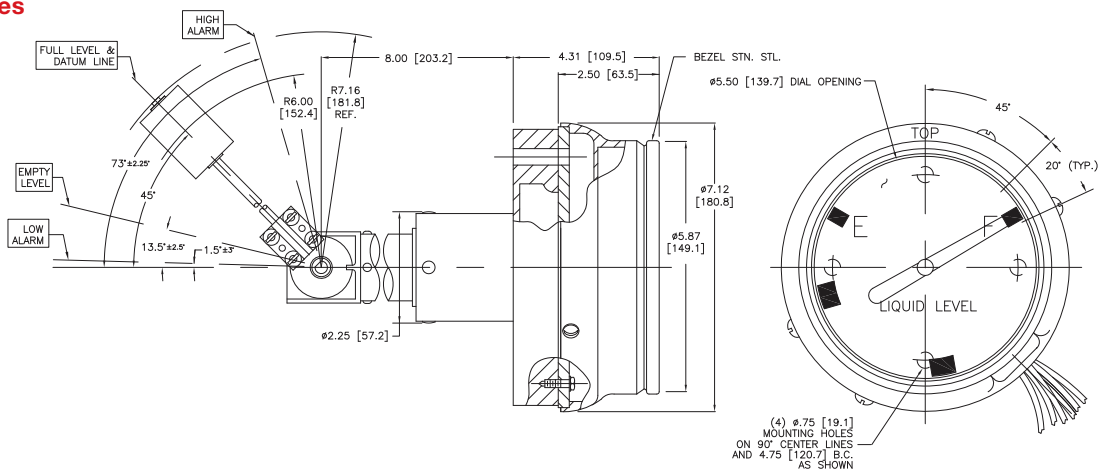
032 Series



042 Series



045 Series



©2008 QUALITROL® Company LLC, an ISO 9001 system certified company. All rights reserved. Information subject to change without notice. All trademarks are properties of their respective companies, as noted herein. AP-L16-01L-01E.