

K 10 Tapes

10.1 Filament-reinforced paper tapes

10.1.1 Technical data

10.1.1.1 Types

P 34 P 68	With glass filaments
N 30	With viscose filament
PET 28	With polyester filament, shrinkable, paper partially coated with epoxy resin in B state. For bonding temperatures refer to Catalogue K 12 - 2 D.

10.1.1.2 Properties

Type		P 34	P 68	N 30	PET 28
Thickness S	mm	0.12	0.17	0.23	0.25
Length per roll	m	200	150	100	100
Width-related breaking strain	kN/m	16	37	7.5	12
Elongation	%	2	2	2	3
Shrinkage at 120°C	%	—	—	—	> 1.5
Shrinkage at 150°C	%	—	—	—	> 5
Standard width B Special widths on request	mm	15 / 20 / 25 / 30			

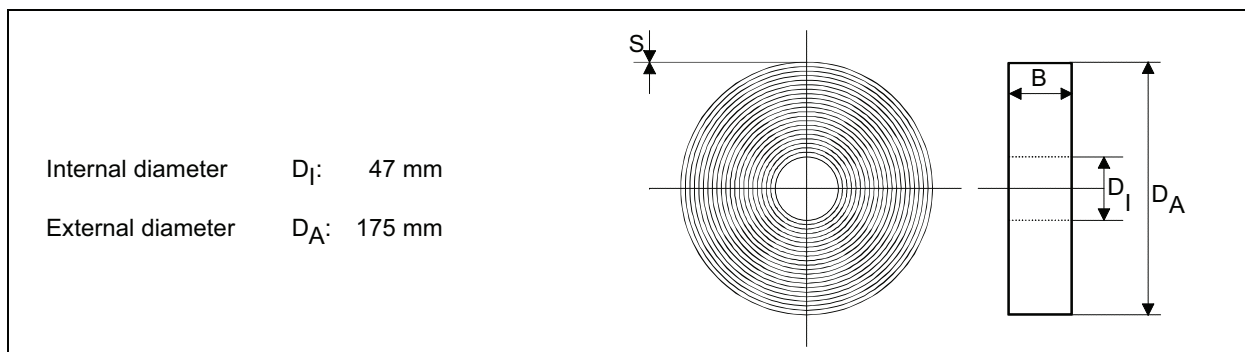


Fig. 1 Supplied in rolls

Filament-reinforced paper tapes

K 10.01 - 1/2 e

10.1.1.3 Electrical tests in oil

Type		P 34	P 68	N 30	PET 28
Partial discharge inception field strength	kV/mm	>7.6	>7.0	>7.5	>7.5
Breakdown field strength	kV/mm	>7.6	>7.4	>7.5	>7.5
Dielectric loss factor $\tan \delta$ at 20°C	‰	< 5	< 5	< 5	< 3
Dielectric loss factor $\tan \delta$ at 90°C	‰	< 15	< 15	< 15	< 11

Pre-conditioning and measurement: in accordance with IEC 60243-1, 60250, 60554-2, 60641-2

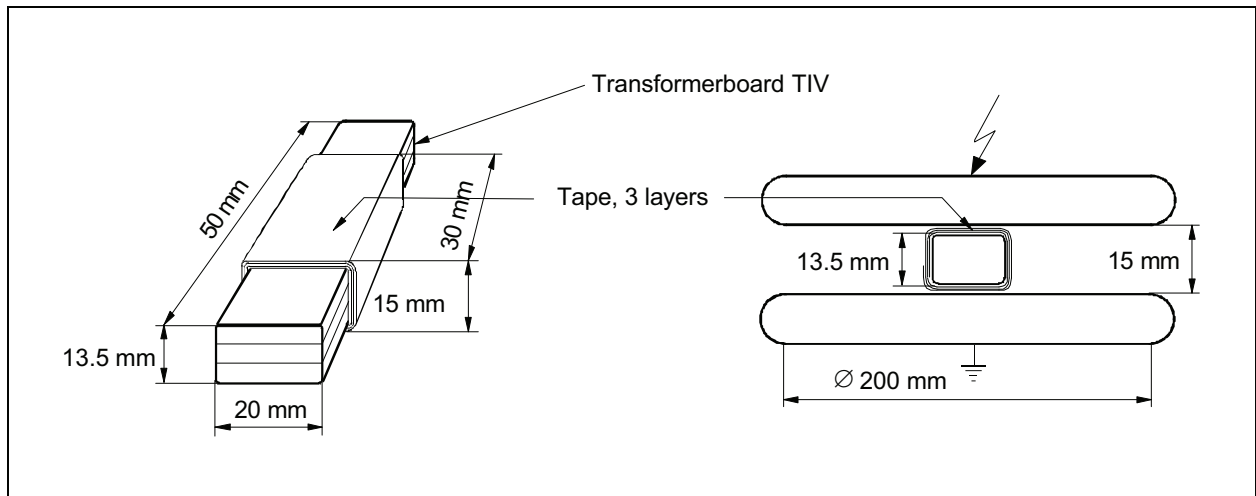


Fig. 2 Electrical tests

Filament-reinforced paper tapes

K 10.01 - 2/2 e